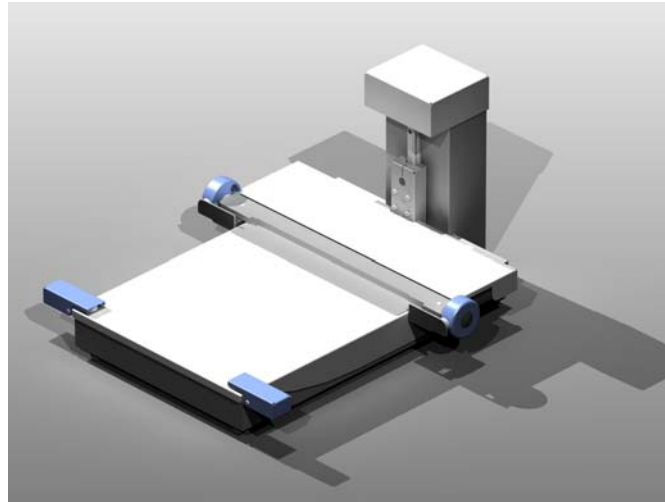


## FotoMount – PhotoBook Maker



### **Use photographic paper for your customized photobooks**

The new Fastbind product line will enable a photographer, photo lab or any print professional an easy to use system to bind photographic prints into tailor made photo album books (pat. pend.). It has never before been so easy to make fully personalized photo albums bound into full size photo-image hard cover. Using traditional prints on photographic paper, a professional photo album with a lay flat “edge to edge panoramic view” is achieved.

### **Low cost, high quality**

The Fastbind photo album maker is a low cost, high quality solution, designed especially with the photographic studio, photo lab and professional photographer in mind, but suits also very well to digital printer, copy shops and on demand publishers.

### **Preliminary specifications USA**

**Max photobook thickness:** 3.15”

**Max size of the spread:** 11.9” x 17.7”

**Max size of the photobook”** 8.86” x 11.9”

Design and specifications are subjects to change without prior notice.